

INT&R SYSTEMS

creating quality ambient spaces

T&R

GRIDLUX

Light Modules for Integration in
an Acoustic and Seismic Suspended
Ceiling System





INT&RIOR SYSTEMS
creating quality ambient spaces



The Gridlux LED module offers a new and exciting way to incorporate lighting into a suspended ceiling grid. It is designed in the shape of a standard cross tee bar to allow selected cross tees in the grid to be substituted.

It can be fully integrated at the project design stage, alongside T&R's standard CBI Grid - a fully tested and proven system for New Zealand's unique seismic conditions. In retrofit scenarios, Gridlux can be placed into any heavyweight 38mm seismic ceiling grid.

It creates a stylish and innovative lighting solution suitable for offices, schools and commercial interiors.

- Provides 400-600 lux on the work surface (dependant on configuration).
- Low Glare (UGR=19) available (Chrome Mirror Optic)
- 5-year replacement warranty.
- Easy installation.
- Long-life energy-saving LED technology (L90,B50 90,000hrs).
- Complete system installed with flex and plug; can be used with Building Management System.
- Anodised and powder-coated aluminium extrusion, steel mounting clips.

Integrating Gridlux enables a much higher performing acoustic ceiling, by eliminating the need to replace tiles to provide space for traditional lighting solutions. This provides a much higher area of potential absorption across the ceiling surface.

Gridlux tee rails have been engineered to take seismic load, (complies with NZS 1170.5) and is therefore ideal to be integrated as part of a seismically designed suspended ceiling.

Please Note: Gridlux is installed as part of the ceiling, and should be tendered as part of the ceiling contract. Installation will need to be coordinated with the electrical contractor for power points in the plenum.



INT&RIOR SYSTEMS
creating quality ambient spaces

CHROME MIRROR OPTIC

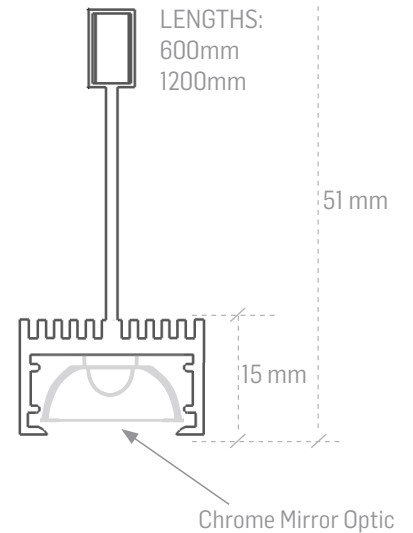
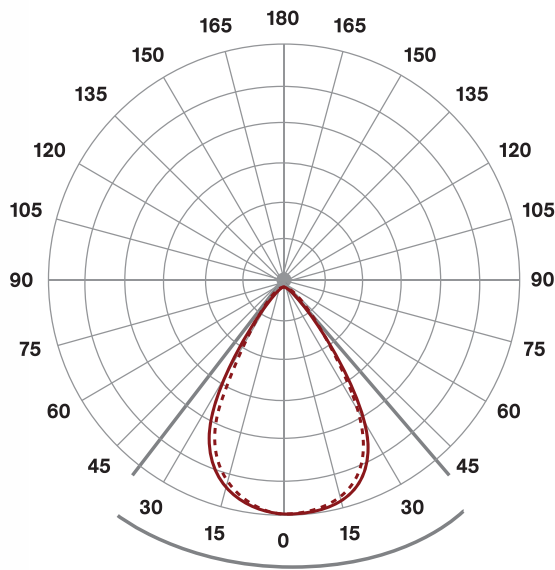
A subtle and elegant choice - ideal for office interiors, where task lighting is required without any glare.



GRIDLUX



Beam Angle **78.3°** (4 C-PLANES)



Gridlux is designed to be configured for any space, variable ceiling heights and working planes. Light levels are accommodated through the system driver outputs.

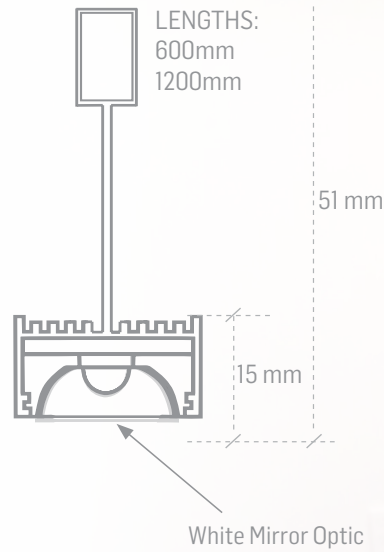
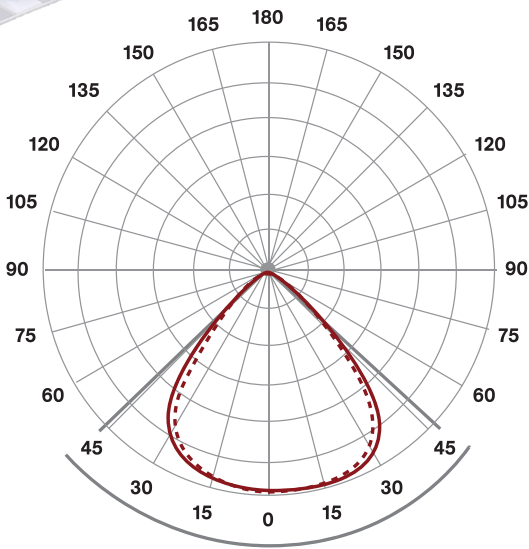
Variable Luminaire Output 4000k

mA	LUMENS 600mm	WATTAGE 600mm	LUMENS 1200mm	WATTAGE 1200mm	CRI
500	722	13.4	1394	22.1	85
600	846	15.6	1634	26.5	85
700	966	17.8	1858	31.1	85
800	1105	20.8	2050	36.8	85
900	1284	22.9	2198	40.3	85
1050	1436	26.8	2459	46.8	85

L90, B50 90,000 HOURS | UGR 19 Compliant
IES Files available on request



Beam Angle **93.8°** (4 C-PLANES)



Gridlux is designed to be configured for any space, variable ceiling heights and working planes. Light levels are accommodated through the system driver outputs.

Variable Luminaire Output 4000k

mA	LUMENS 600mm	WATTAGE 600mm	LUMENS 1200mm	WATTAGE 1200mm	CRI
500	805	13.4	1462	22.7	85
600	939	15.6	1732	26.8	85
700	1068	17.8	1971	31.1	85
800	1156	20.8	2250	37.8	85
900	1284	22.9	2498	41.3	85
1050	1436	26.8	2726	47.7	85

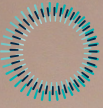
L90, B50 90,000 HOURS
IES Files available on request

GRIDLUX

WHITE MIRROR OPTIC

A striking product that draws the eye and demands attention
- ideal for corridors and circulation spaces.



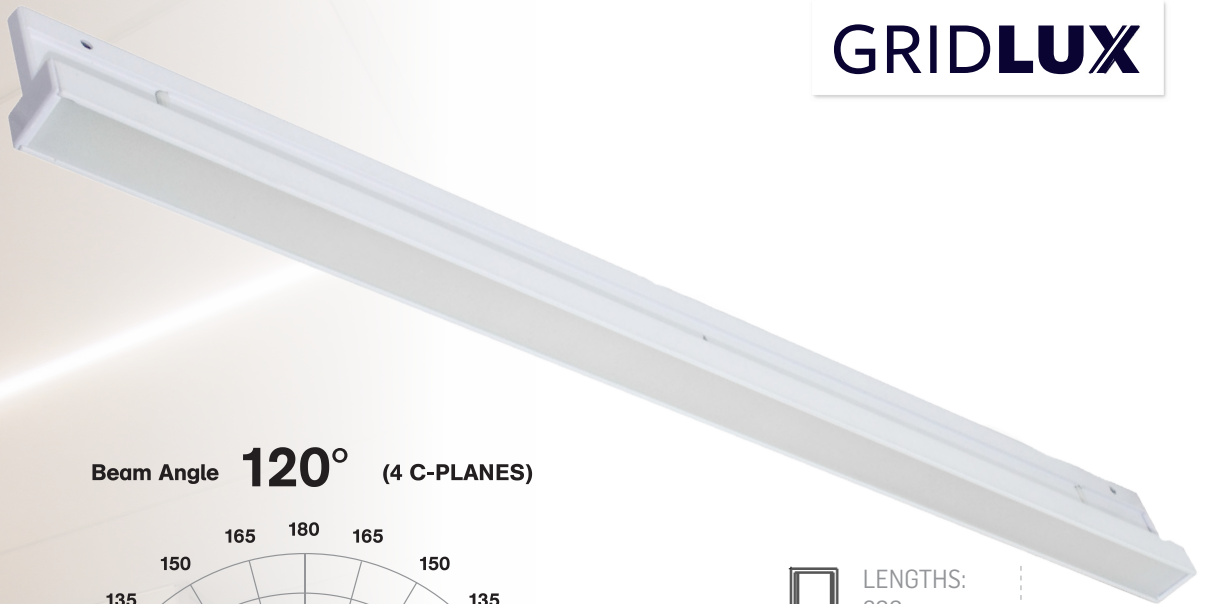


INT&RIOR SYSTEMS
creating quality ambient spaces

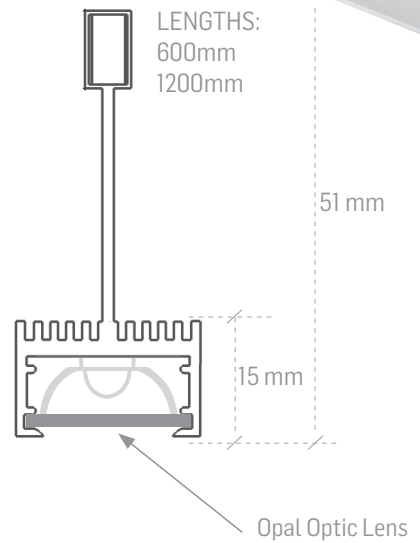
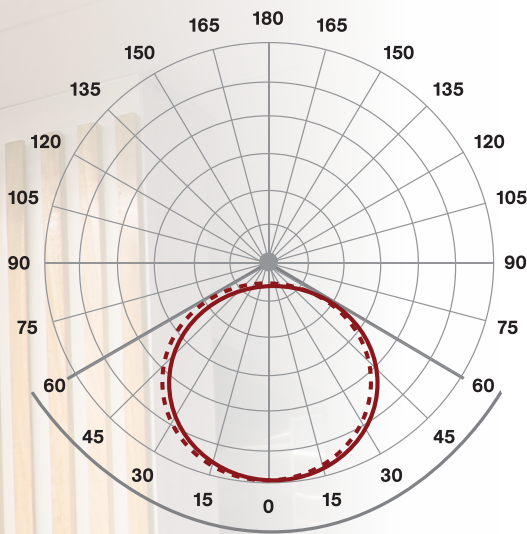
OPAL OPTIC

Striking aesthetic and uniform distribution of light
- ideal for general illumination in a wide variety of spaces.





Beam Angle **120°** (4 C-PLANES)



Gridlux is designed to be configured for any space, variable ceiling heights and working planes. Light levels are accommodated through the system driver outputs.

Variable Luminaire Output 4000k

mA	LUMENS 600mm	WATTAGE 600mm	LUMENS 1200mm	WATTAGE 1200mm	CRI
350	939	8	1879	15.5	85
500	1275	11	2550	22	85
600	1492	13.4	2985	26.8	85
700	1707	15.8	3414	31.5	85
800	1919	18	3838	36	85
900	2122	20.5	4244	41	85
1050	2409	24	4819	48	85

L90, B50 90,000 HOURS
IES Files available on request



DRIVER TECHNOLOGY

The Tridonic Driver is the future of LED Drivers. It is a highly advanced system with outstanding dimming function.

- Constant-current LED Driver with application-oriented operating windows
- One for all interface supports DALI, DSI, switchDIM and corridor FUNCTION
- Superior dimming performance with stepless amplitude dimming from 100 % to 1 %
- Power range 10–100 W
- High efficiency of up to > 93 %
- Unmatched standby losses of < 0.15 W
- New ready2mains technology permits configuration and dimming via the mains
- New I-Select 2 interface for setting the current on the primary side

The digital one4all interface ensures proper operation and integration in various lighting control systems. In addition, all the parameters of driver The Tridonic can be configured for maximum effect. The current can be adjusted in 1 mA increments for individual matching to the required luminous fluxes.

- DALI (Digital Addressable Lighting Interface) is an interface protocol for digital communication between electronic lighting equipment.
- DSI (Digital Serial Interface) enables DSI ECGs to be controlled. The luminaires are switched via the control line irrespective of the cabling for the power supply.
- SwitchDIM works with the mains voltage as a control signal and make it possible to dim the driver via a standard Taster.
- The corridor FUNCTION performs complex processes with ease. Standard motion detectors and luminaires with one4all LED drivers is all that is required to provide presence controlled lighting.
- The corridor FUNCTION can be programmed so that if there is no one in the room the light is not switched off – as is the case with non-dimmable ballasts - but dimmed to the minimum level. It can then be switched off automatically after a pre-set delay.

TRIDONIC

GRIDLUX

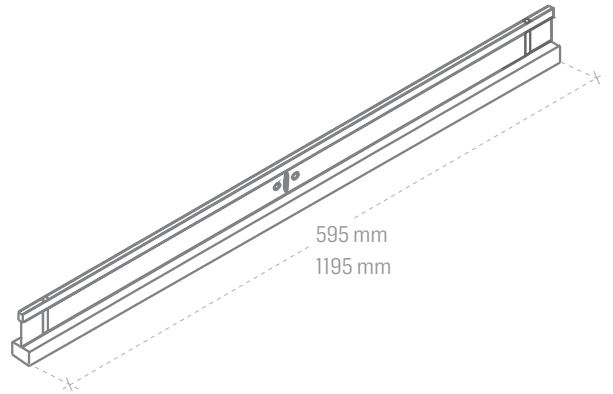


Available as:
DALI Dimmable
Non-Dimmable



STEP 1

Select Length
1200 or
600mm



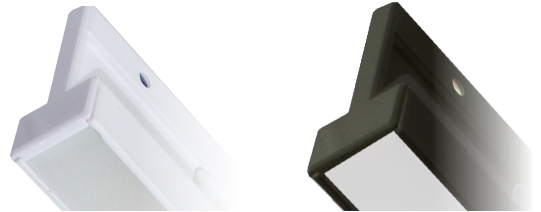
STEP 2

Select Optic
Mirror
White Mirror
Opal



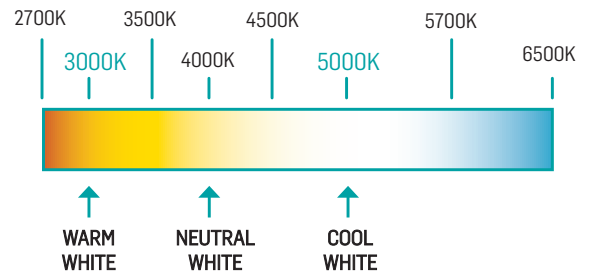
STEP 3

Select Body Colour
White
Black
Other



STEP 4

Colour
Temperature
& CRI
3000k
4000k
5000k



STEP 5

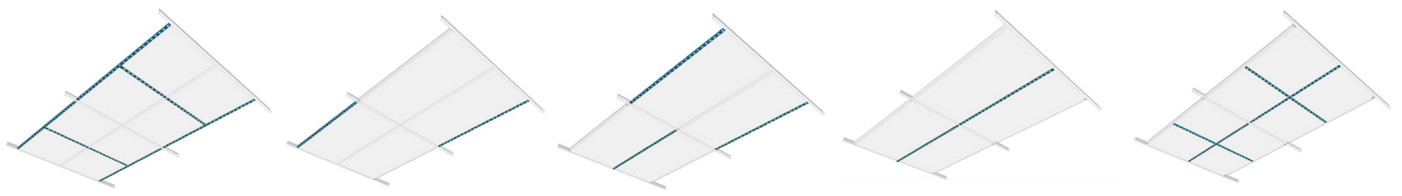
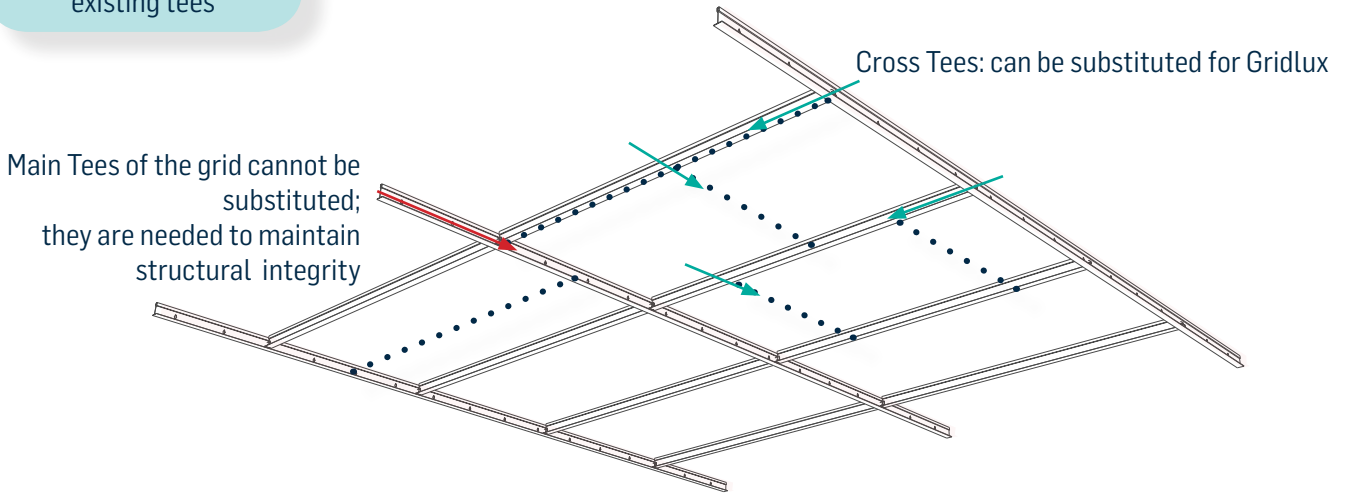
Select Driver
Dimmable
Non-dimmable
DALI



INSTALLATION OPTIONS:



Gridlux Options:
Replace cross tees
or span between
existing tees



Gridlux replaces a standard cross tee or spans between tees. Therefore:
To run Gridlux parallel to cross tees; replace cross tees with 1200mm Gridlux (Maintains a standard 1200x600 tile module)
To run Gridlux parallel to the main tee; run a 600mm Gridlux between two cross tees to create a 600x600 module
Various patterns can be created with a combination of the configurations outlined above.



Please Note: Gridlux is installed as part of the ceiling, and should be tendered as part of the ceiling contract. Installation will need to be coordinated with the electrical contractor for power points in the plenum.



Gridlux Warranty



T&R Interior Systems guarantees that Gridlux LED module is warranted to be free of defects directly attributed to the manufacturing process for the period of 5 years from the date of installation of the product as long as the material is installed and maintained under the conditions set forth.

T&R GRIDLUX



INT&RIOR SYSTEMS

creating quality ambient spaces

www.tris.co.nz

info@tris.co.nz

Wellington Head Office
12 Glover St, Ngauranga
Wellington 6035
PO Box 38533
Wellington Mail Centre 5045
/t/ 04 499 5915

Auckland
19 - 21 Fairfax Ave,
Penrose, Auckland 1061
PO Box 112360,
Penrose, Auckland 1642
/t/ 09 571 0395

Christchurch
69 Disraeli St, Addington
Christchurch 8023
PO Box 7197
Christchurch 8240
/t/ 03 366 2507